



Illustrated Parts List

Model Series

205400

TYPE NUMBERS
0035 through 0563.

TABLE OF CONTENTS

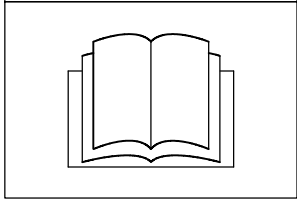
Air Cleaner	5
Alternator	9
Blower Housing/Shrouds	6
Camshaft	2
Carburetor	4
Controls	7
Crankcase Cover	2
Crankshaft	2
Cylinder	2
Cylinder Head	3
Electric Starter	8
Exhaust System	5
Flywheel	6
Fuel Supply	7
Gasket Set - Engine	3
Gasket Set - Valve	3
Gear Reduction	8
Governor Spring	7
Ignition	9
Kit-Carburetor Overhaul	4
Lubrication	2
Operator's Manual	2
Piston/Rings/Connecting Rod	2
Rewind Starter	6
Valves	3
Warning Label	2



PRINTED IN U.S.A.

COPYRIGHT by BRIGGS & STRATTON CORPORATION
All rights reserved. No part of this material may be reproduced or transmitted, in any form or by any means, electronic or mechanical, including photocopying, recording or by any information storage and retrieval system, without permission in writing from Briggs & Stratton Corporation.

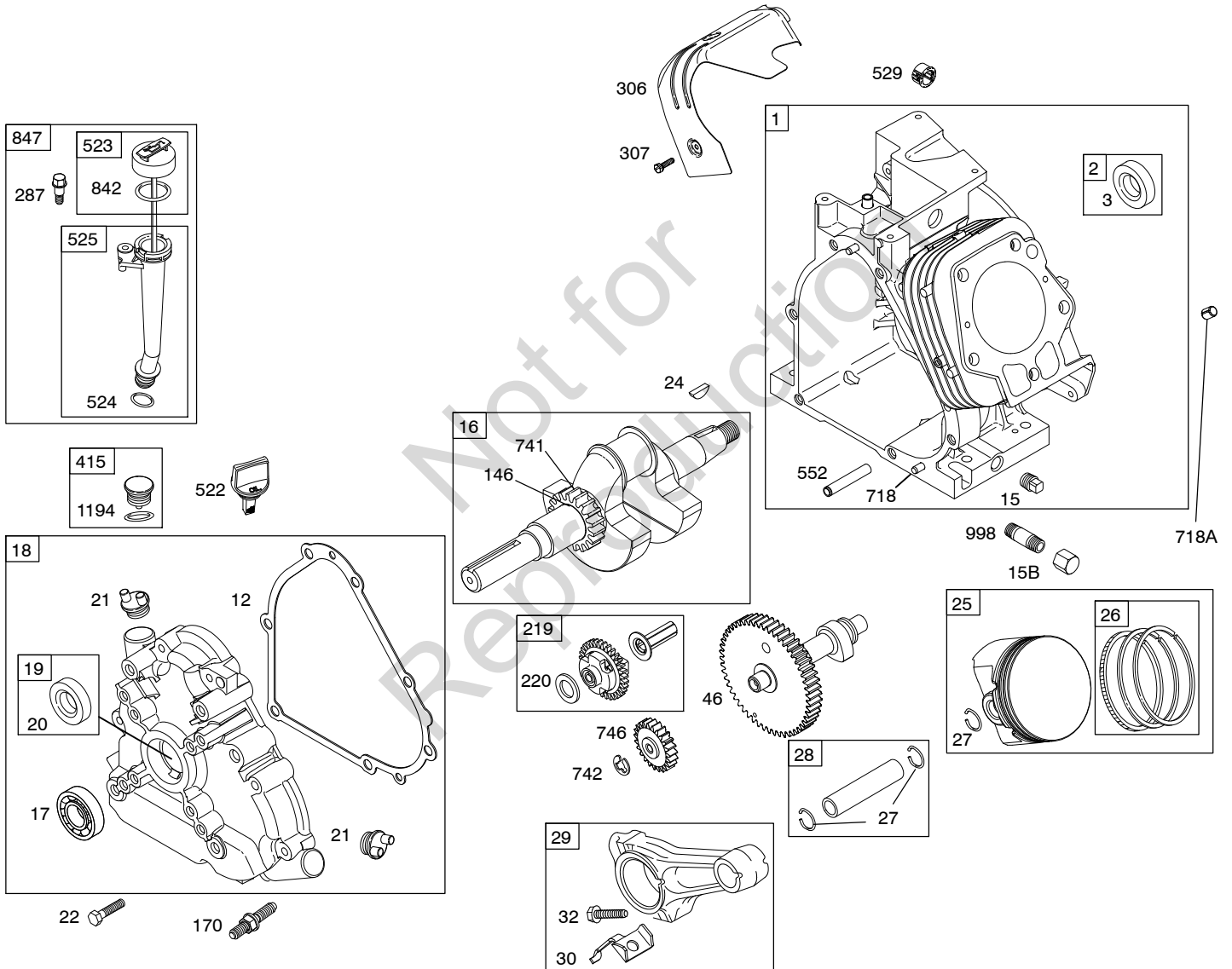
1058 OPERATOR'S MANUAL



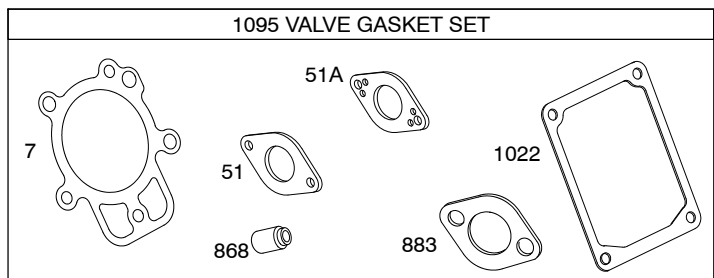
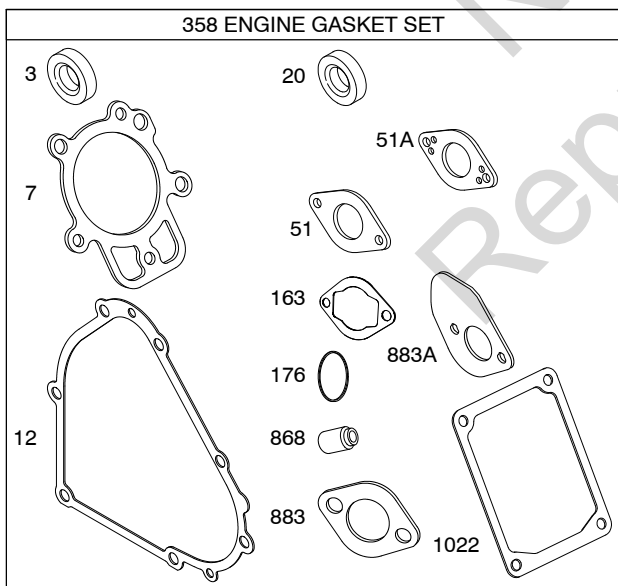
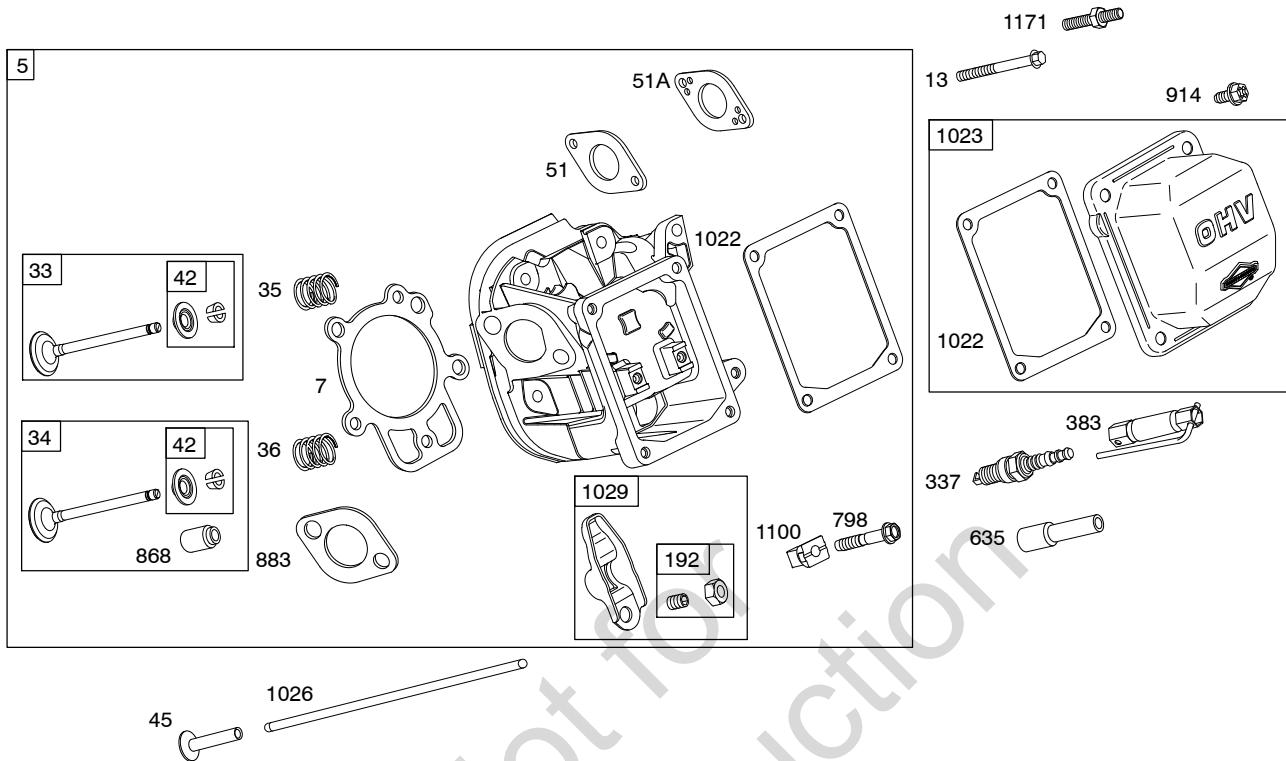
1319 WARNING LABEL

WARNING	
	Read and follow Operating instructions before running engine.
	Gasoline is flammable. Allow engine to cool at least 2 minutes before refueling.
	Engines emit carbon monoxide, DO NOT run in enclosed area.
	Muffler area temperature may exceed 150°F. Do not touch hot parts.

REQUIRED when replacing parts with warning labels affixed.

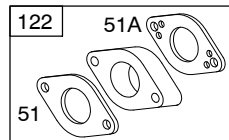
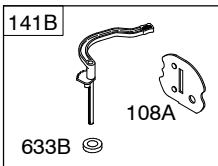
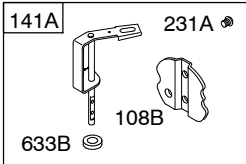
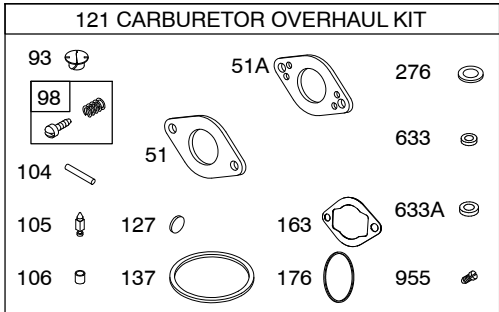
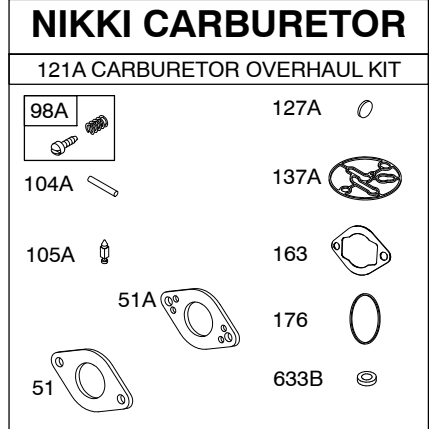
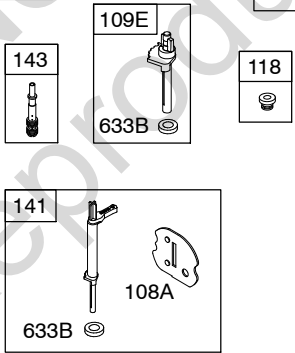
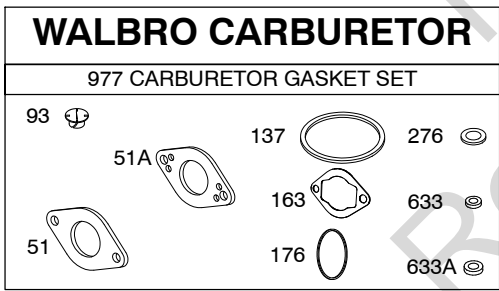
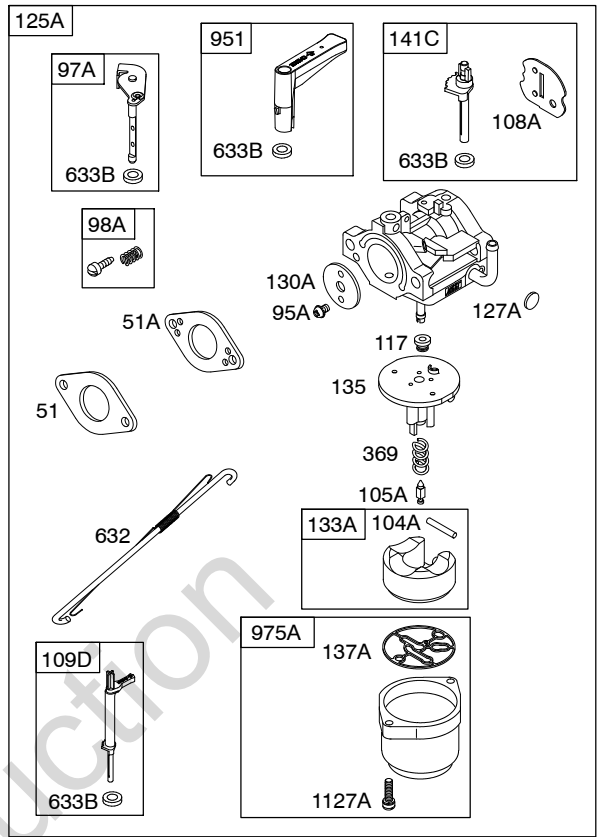
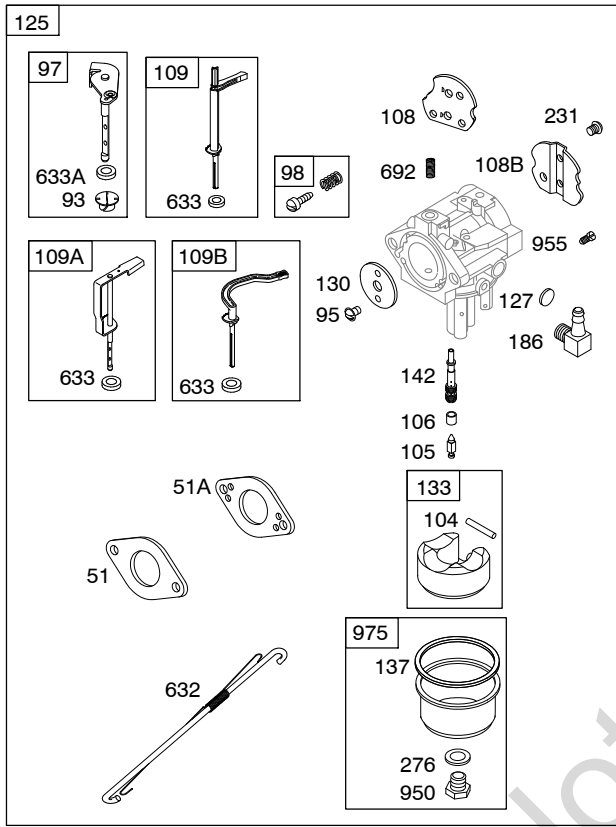


Illustrations cover a range of engines. Parts shown without corresponding text may not be used on your specific engine.
 6359-2 Assemblies include all parts shown in frames. 10/07/2008

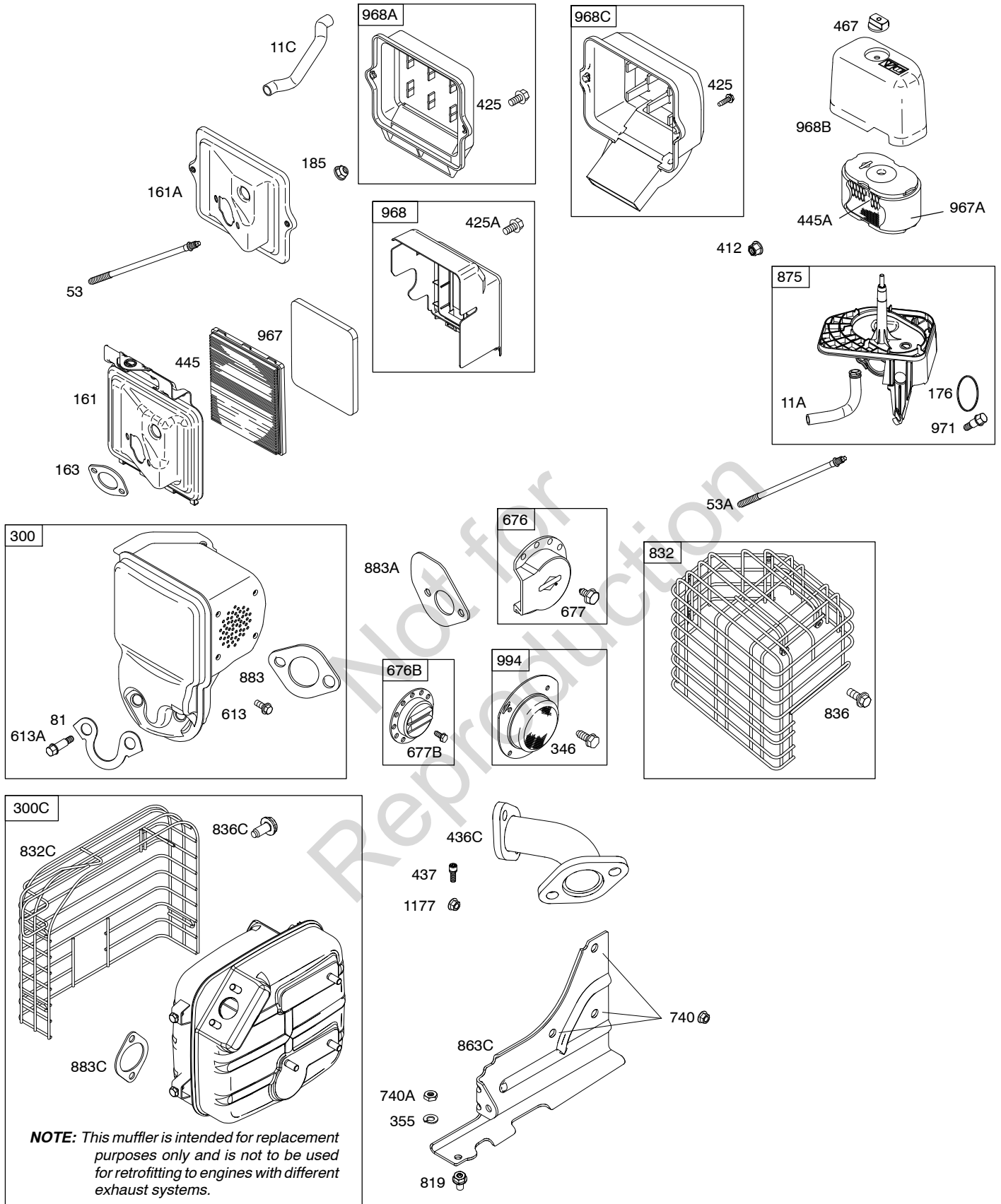


Illustrations cover a range of engines. Parts shown without corresponding text may not be used on your specific engine.
 6359-3 Assemblies include all parts shown in frames. 10/07/2008

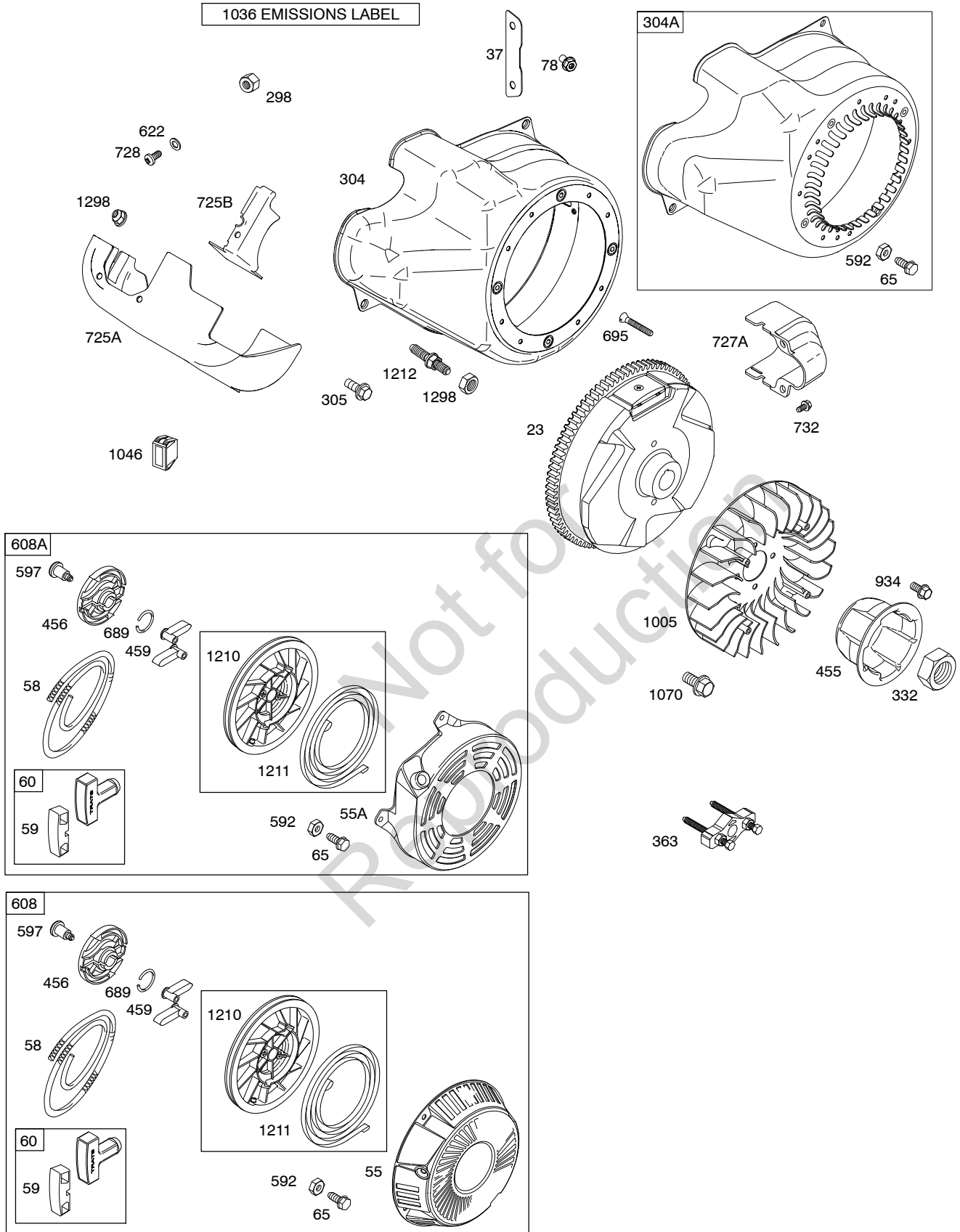
GHOSTED PARTS ARE NOT SERVICEABLE
AND ARE SHOWN FOR REFERENCE ONLY.



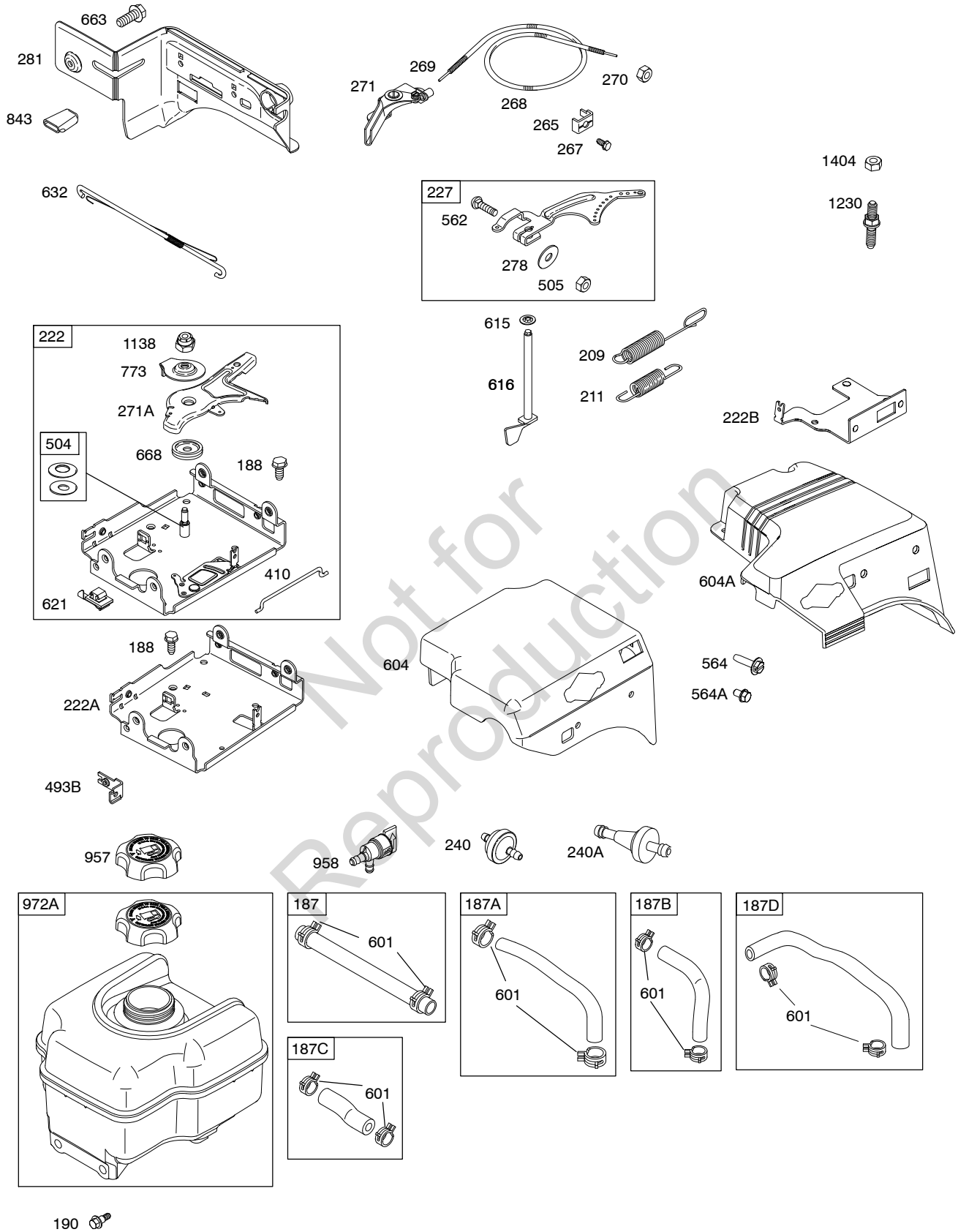
Illustrations cover a range of engines. Parts shown without corresponding text may not be used on your specific engine.
6359-4 Assemblies include all parts shown in frames. 10/07/2008



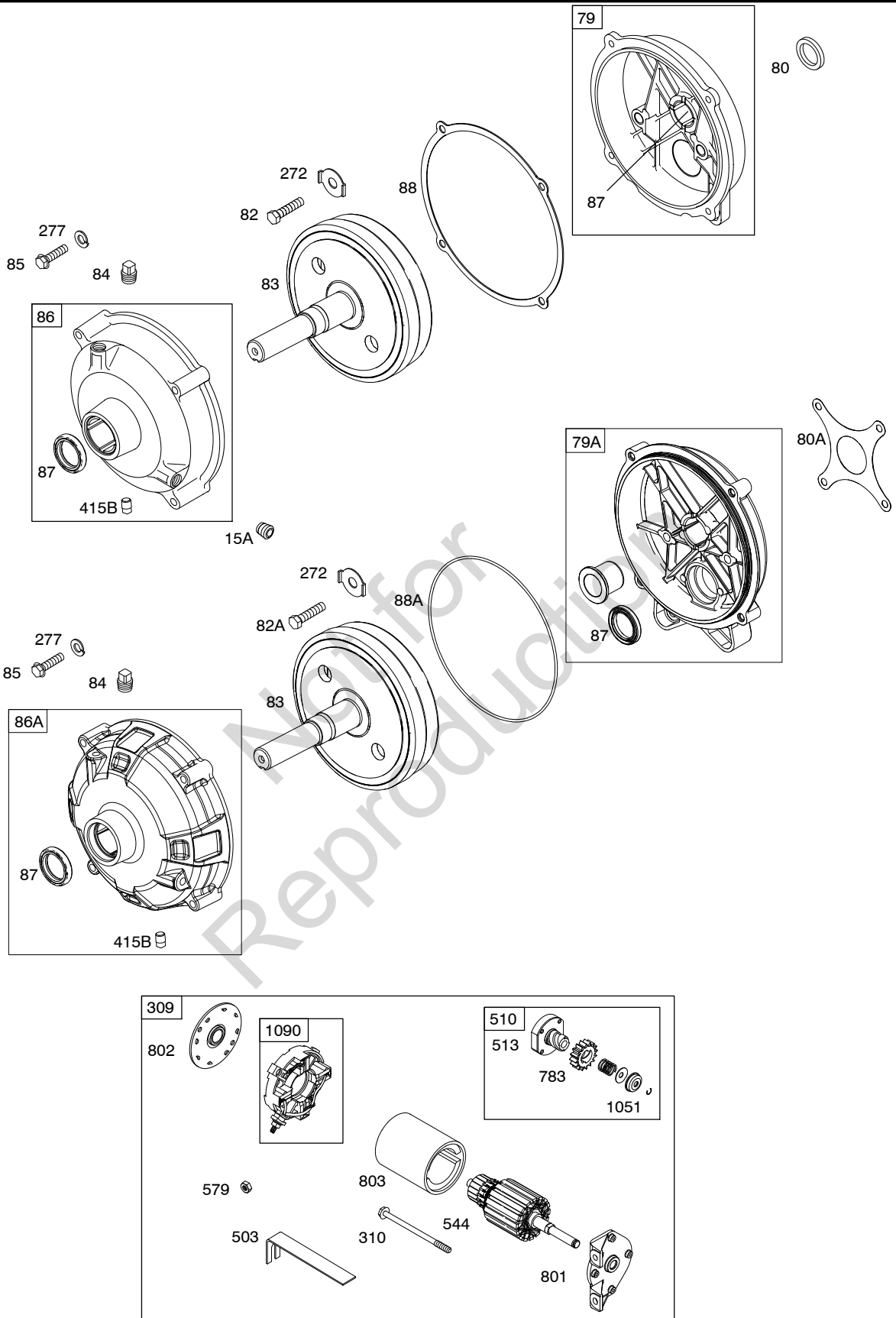
Illustrations cover a range of engines. Parts shown without corresponding text may not be used on your specific engine.
 6359-5 Assemblies include all parts shown in frames. 10/07/2008



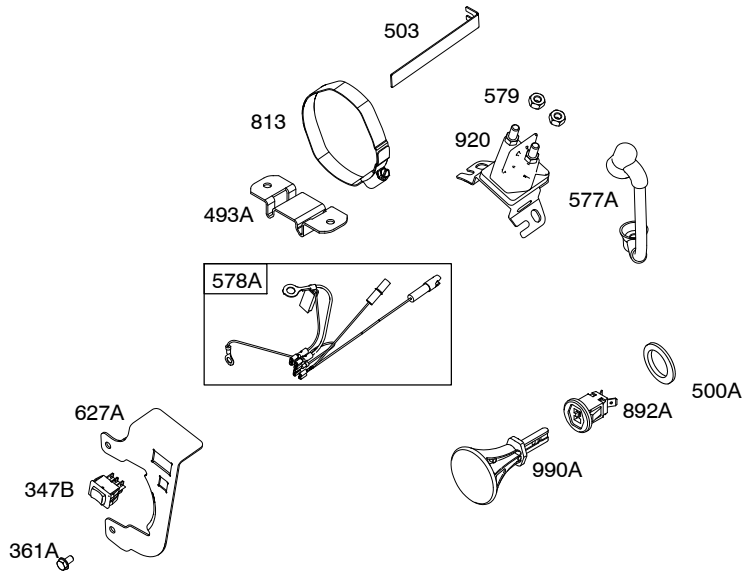
Illustrations cover a range of engines. Parts shown without corresponding text may not be used on your specific engine.
 6359-6 Assemblies include all parts shown in frames. 10/07/2008



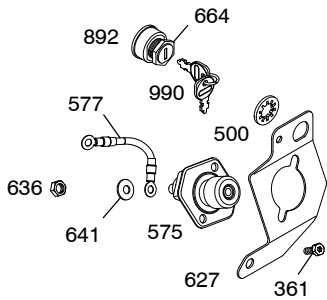
Illustrations cover a range of engines. Parts shown without corresponding text may not be used on your specific engine.
 6359-7 Assemblies include all parts shown in frames. 10/07/2008



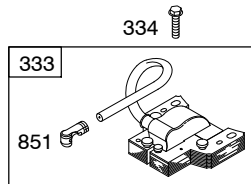
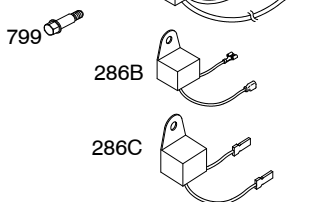
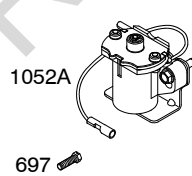
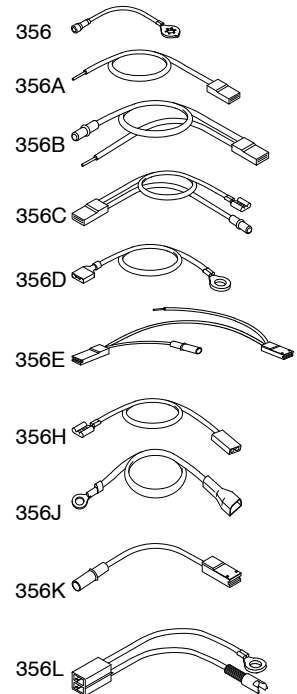
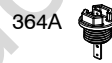
Illustrations cover a range of engines. Parts shown without corresponding text may not be used on your specific engine.
 6359-8 Assemblies include all parts shown in frames. 10/07/2008



DC ONLY	10 - 16 AMP
474A 	474D
578 	578
<p>NOTE: All stators use a No. 1119 mounting screw.</p> <p>NOTE: The proper flywheel part number and/or the alternator magnet size will determine the alternator type or output. See repair instruction manual for additional information.</p>	
<p>526 501 </p>	



Not for reproduction



REF. NO.	PART NO.	DESCRIPTION	REF. NO.	PART NO.	DESCRIPTION	REF. NO.	PART NO.	DESCRIPTION
36	694865	Spring-Valve (Exhaust)	78	690372	Screw (Cover Flywheel Guard)	80A	793588	Gasket-Gear Case (Used After Code Date 07021500).
37	790730	Guard-Flywheel	79	690614	Case-Gear Reduction (Used Before Code Date 07021600).			Used on Type No(s). 0049, 0050, 0195, 0281, 0310, 0311, 0549, 0550.
42	499586	Keeper-Valve			----- Note -----			793588 Gasket-Gear Case (Used After Code Date 06091700).
45	690977	Tappet-Valve			690614 Case-Gear Reduction (Used Before Code Date 06091800).	81	695400	Lock-Muffler Screw
46	790958	Camshaft			Used on Type No(s). 0049, 0050, 0112, 0195, 0281, 0310, 0549, 0550.	82	690287	Screw (Gear Reduction Case) (Used Before Code Date 07021600).
51	★△◆694874	Gasket-Intake	79A	793590	Case-Gear Reduction (Used After Code Date 07021500).			Used on Type No(s). 0049, 0050, 0112, 0195, 0281, 0310, 0549, 0550.
51A	★△◆694875	Gasket-Intake			Used on Type No(s). 0049, 0050, 0195, 0281, 0310, 0311, 0549, 0550.			----- Note ----- 690287 Screw (Gear Reduction Case) (Used Before Code Date 06091800).
53	694869	Stud (Carburetor)			----- Note -----			Used on Type No(s). 0212.
53A	695433	Stud (Carburetor)			793590 Case-Gear Reduction (Used After Code Date 06091700).	82A	792753	Screw (Gear Reduction Case) (Used After Code Date 07021500).
55	695288	Housing-Rewind Starter			Used on Type No(s). 0049, 0050, 0195, 0281, 0310, 0311, 0549, 0550.			Used on Type No(s). 0049, 0050, 0195, 0281, 0310, 0311, 0549, 0550.
55A	691421	Housing-Rewind Starter			----- Note -----			792753 Screw (Gear Reduction Case) (Used After Code Date 06091700).
58	693389	Rope-Starter (Cut To Required Length)			690759 Screw (Rewind Starter) Used on Type No(s). 0041, 0050, 0112, 0115, 0118, 0123, 0129, 0141, 0148, 0150, 0163, 0164, 0169, 0172, 0174, 0180, 0183, 0185, 0186, 0188, 0198, 0199, 0200, 0201, 0203, 0204, 0207, 0209, 0210, 0213, 0215, 0216, 0229, 0280, 0281, 0303, 0304, 0305, 0307, 0310, 0311, 0312, 0313, 0533, 0537, 0541, 0542, 0550.			Used on Type No(s). 0212.
59	805957	Insert-Grip			----- Note -----			Used on Type No(s). 0049, 0050, 0112, 0195, 0281, 0310, 0549, 0550.
60	490652	Grip-Starter Rope			691603 Gasket-Gear Case (Used Before Code Date 07021600).			----- Note ----- 792753 Screw (Gear Reduction Case) (Used After Code Date 06091700).
65	690837	Screw (Rewind Starter)	80	691603	Gasket-Gear Case (Used Before Code Date 07021600).			Used on Type No(s). 0212.

★ Included in Engine Gasket Set-Ref. No. 358.

● Included in Carburetor Overhaul Kit-Ref. No. 121 or 121A.

◆ Included in Carburetor Gasket Set-Ref. No. 977.

△ Included in Valve Gasket Set-Ref. No. 1095.

Illustrations cover a range of engines. Parts shown without corresponding text may not be used on your specific engine.

205400

REF. NO.	PART NO.	DESCRIPTION	REF. NO.	PART NO.	DESCRIPTION	REF. NO.	PART NO.	DESCRIPTION		
83	690387	Shaft-Auxiliary Drive	88A	793589	Gasket-Gear Reduction Cover	109	695331	Shaft-Choke		
84	691121	Plug-Breather			(Used After Code Date 07021500).	109A	695326	Shaft-Choke		
85	691076	Screw (Gear Cover to Gear Reduction Case)			Used on Type No(s). 0049, 0050, 0195, 0281, 0310, 0311, 0549, 0550.			(Used Before Code Date 00082800).		
86	690613	Cover-Gear (Used Before Code Date 07021600). Used on Type No(s). 0049, 0050, 0112, 0195, 0281, 0310, 0549, 0550.			----- Note ----- 793589 Gasket-Gear (Used After Code Date 06091700). Used on Type No(s). 0212.			Used on Type No(s). 0130, 0140.		
		----- Note ----- 690613 Cover-Gear (Used Before Code Date 06091800). Used on Type No(s). 0212.	93	◆690602	Bushing-Throttle Shaft			109B	695329	Shaft-Choke
86A	793591	Cover-Gear (Used After Code Date 07021500). Used on Type No(s). 0049, 0050, 0195, 0281, 0310, 0311, 0549, 0550.	95	691636	Screw (Throttle Valve)					(Used Before Code Date 00092900). Used on Type No(s). 0126.
		----- Note ----- 793591 Cover-Gear (Used After Code Date 06091700). Used on Type No(s). 0212.	95A	690718	Screw (Throttle Valve)			109C	790148	Shaft-Choke
87	391086S	Seal-Gear Reduction	97	695325	Shaft-Throttle					Used on Type No(s). 0113, 0213, 0281, 0303, 0304, 0305, 0307, 0310, 0311, 0542.
88	691601	Gasket-Gear Reduction Cover (Used Before Code Date 07021600). Used on Type No(s). 0049, 0050, 0112, 0195, 0281, 0310, 0549, 0550.	97A	696387	Shaft-Throttle					----- Note ----- 790148 Shaft-Choke (Used After Code Date 00092800). Used on Type No(s). 0126.
		----- Note ----- 691601 Gasket-Gear (Used Before Code Date 06091800). Used on Type No(s). 0212.	98	◆495800	Kit-Idle Speed			109D	790149	Shaft-Choke
			98A	◆695408	Kit-Idle Speed			109E	696735	Shaft-Choke
			104	◆690525	Pin-Float Hinge			109G	790077	Shaft-Choke
			104A	◆694918	Pin-Float Hinge			117	◆696134	Jet-Main
			105	◆691782	Valve-Float Needle					(Standard)
			105A	◆696136	Valve-Float Needle			118	696135	Jet-Main
			106	◆690577	Seat-Inlet					(High Altitude)
			108	693924	Valve-Choke (Used Before Code Date 00082800). Used on Type No(s). 0130, 0140.			121	695441	Kit-Carburetor
					----- Note ----- 696209 Valve-Choke (Used After Code Date 00082700). Used on Type No(s). 0130, 0140.					Overhaul (Use With Walbro Carburetor)
			108A	696143	Valve-Choke			121A	696146	Kit-Carburetor
			108B	696209	Valve-Choke					Overhaul (Nikki Carburetor)

★ Included in Engine Gasket Set-Ref. No. 358.

● Included in Carburetor Overhaul Kit-Ref. No. 121 or 121A.

◆ Included in Carburetor Gasket Set-Ref. No. 977.

△ Included in Valve Gasket Set-Ref. No. 1095.

Illustrations cover a range of engines. Parts shown without corresponding text may not be used on your specific engine.

REF. NO.	PART NO.	DESCRIPTION	REF. NO.	PART NO.	DESCRIPTION	REF. NO.	PART NO.	DESCRIPTION
122	694876	Spacer- Carburetor	161A	699960	Base-Air Cleaner (Metal)	187A	791869	Line-Fuel (Used After Code Date 05063000).
125		Carburetor (To Service Complete Carburetor, See Referece Number 125A)			Used on Type No(s). 0115, 0205, 0207, 0214, 0215, 0216, 0217, 0229, 0232, 0280, 0538.			----- Note ----- 695429 Line-Fuel (Used Before Code Date 05070100).
125A	699966	Carburetor			----- Note ----- 699960 Base-Air Cleaner (Metal)	187B	791834	Line-Fuel (Used After Code Date 05063000).
		----- Note ----- 695920 Carburetor Used on Type No(s). 0113, 0126, 0213, 0281, 0303, 0304, 0305, 0307, 0310, 0311, 0542.			(Used After Code Date 04020400). Used on Type No(s). 0038, 0116, 0118, 0130, 0140, 0154, 0175, 0177, 0178, 0179, 0187, 0188, 0194.			----- Note ----- 695482 Line-Fuel (Used Before Code Date 05070100).
127	694524	Plug-Welch			694870 Base-Air Cleaner (Metal)	187C	791871	Line-Fuel (Used After Code Date 05063000).
127A	690727	Plug-Welch			(Used Before Code Date 04020500). Used on Type No(s). 0038, 0116, 0118, 0130, 0140, 0154, 0175, 0177, 0178, 0179, 0187, 0188, 0194.			----- Note ----- 695483 Line-Fuel (Used Before Code Date 05070100).
130	690468	Valve-Throttle	163	692277	Gasket-Air Cleaner			698080 Line-Fuel (Used Before Code Date 05070100).
130A	696139	Valve-Throttle	170	695296	Stud (Crankcase Cover/Sump)	188	690877	Screw (Control Bracket)
133	494381	Float-Carburetor			Seal-O Ring (Air Cleaner Base)	190	692127	Screw (Fuel Tank)
133A	694914	Float-Carburetor			----- Note ----- 691917 Seal-O Ring (Air Cleaner Base)	192	690083	Adjuster-Rocker Arm
135	696142	Tube-Fuel Transfer			Used on Type No(s). 0113, 0126, 0213, 0281, 0303, 0304, 0305, 0307, 0310, 0311, 0542.	209	694867	Spring-Governor
137	281165S	Gasket-Float Bowl	176	691876	Seal-O Ring (Air Cleaner Base)			----- Note ----- 695491 Spring-Governor
137A	695426	Gasket-Float Bowl			----- Note ----- 691917 Seal-O Ring (Air Cleaner Base)			Used on Type No(s). 0115, 0120, 0123, 0125, 0126, 0129, 0141, 0148, 0167, 0209, 0210, 0227, 0228, 0232, 0280.
141	696145	Kit-Choke Shaft			Used on Type No(s). 0113, 0126, 0213, 0281, 0303, 0304, 0305, 0307, 0310, 0311.	211	695307	Spring-Governed Idle
141A	698457	Kit-Choke Shaft	185	690958	Nut (Air Cleaner Base)	219	693578	Gear-Governor
141B	696144	Kit-Choke Shaft			Used on Type No(s). 0113, 0126, 0213, 0281, 0303, 0304, 0305, 0307, 0310, 0311.	220	691724	Washer (Governor Gear)
141C	699979	Kit-Choke Shaft	186	692317	Connector-Hose			
142	695528	Nozzle-Carburetor (Standard)	187	791766	Line-Fuel (15 Inches Long) (Cut To Required Length)			
143	695529	Nozzle-Carburetor (High Altitude)						
146	690979	Key-Timing						
161	695384	Base-Air Cleaner (Metal)						

★ Included in Engine Gasket Set-Ref. No. 358.

● Included in Carburetor Overhaul Kit-Ref. No. 121 or 121A.

◆ Included in Carburetor Gasket Set-Ref. No. 977.

△ Included in Valve Gasket Set-Ref. No. 1095.

Illustrations cover a range of engines. Parts shown without corresponding text may not be used on your specific engine.

205400

REF. NO.	PART NO.	DESCRIPTION	REF. NO.	PART NO.	DESCRIPTION	REF. NO.	PART NO.	DESCRIPTION
222	695380	Bracket-Control	286	695186	Module-Oil Sensor	298	698838	Locknut-Muffler/Elbow
222A	694866	Bracket-Control Used on Type No(s). 0038, 0116, 0118, 0120, 0126, 0130, 0140, 0153, 0154, 0159, 0163, 0165, 0174, 0175, 0177, 0178, 0179, 0184, 0186, 0187, 0188, 0190, 0191, 0194, 0205, 0207, 0208, 0211, 0212, 0214, 0215, 0227, 0228, 0232, 0309, 0313, 0538.			Used on Type No(s). 0141. ----- Note ----- 695186 Module-Oil Sensor (Used Before Code Date 03010500). Used on Type No(s). 0116, 0130, 0136, 0140, 0153, 0154, 0159, 0163, 0164, 0165, 0166, 0168, 0171, 0175, 0177, 0178, 0179, 0183, 0184, 0187, 0188, 0190, 0191.	300	697252	Muffler ----- Note ----- 698101 Muffler Used on Type No(s). 0191.
222B	791753	Bracket-Control				300C	793701	Muffler (This muffler is intended for replacement purposes only and is not to be used for retrofitting to engines with different exhaust systems)
227	694864	Lever-Governor Control	286B	696058	Module-Oil Sensor (Used Before Code Date 03010600). Used on Type No(s). 0112, 0118, 0172, 0174, 0185, 0186.			
231	691636	Screw (Choke Valve)				305	691108	Screw (Blower Housing) ----- Note ----- 691125 Screw (Blower Housing) Used on Type No(s). 0194.
231A	690718	Screw (Choke Valve)	286C	699951	Module-Oil Sensor Used on Type No(s). 0194, 0196, 0197, 0198, 0199, 0200, 0201, 0205, 0207, 0208, 0211, 0213, 0214, 0215, 0217, 0232, 0281, 0303, 0304, 0305, 0306, 0307, 0309, 0310, 0311, 0313, 0537, 0542. ----- Note ----- 699951 Module-Oil Sensor (Used After Code Date 03010500). Used on Type No(s). 0112, 0116, 0118, 0130, 0136, 0140, 0153, 0154, 0159, 0163, 0164, 0165, 0166, 0168, 0171, 0172, 0174, 0175, 0177, 0178, 0179, 0183, 0184, 0185, 0186, 0187, 0188, 0190, 0191.			
240	394358S	Filter-Fuel				306	697240	Shield-Cylinder (Used After Code Date 01102800). ----- Note ----- 694677 Shield- Cylinder (Used Before Code Date 01102900).
240A	694485	Filter-Fuel				307	691660	Screw (Cylinder Shield)
265	691024	Clamp-Casing				309	695479	Motor-Starter
267	692577	Screw (Casing Clamp)				310	690323	Screw (Starter Motor)
268	691025	Casing-Control Wire (Cut To Required Length)				332	694685	Nut (Flywheel)
269	691026	Wire-Control (Cut To Required Length)				333	492341	Armature-Magneto
270	691027	Nut (Control Wire Casing)				334	691061	Screw (Magneto Armature)
271	691028	Lever-Control						
271A	695381	Lever-Control						
272	691168	Lock-Screw Head						
276	◆692255	Washer-Sealing						
277	691075	Washer (Gear Case To Gear Reduction)						
278	792008	Washer (Governor Control Lever)						
281	697268	Panel-Control (Used After Code Date 01102800). ----- Note ----- 695294 Panel-Control (Used Before Code Date 01102900).	287	691693	Screw (Dipstick Tube)			

★ Included in Engine Gasket Set-Ref. No. 358.

● Included in Carburetor Overhaul Kit-Ref. No. 121 or 121A.

◆ Included in Carburetor Gasket Set-Ref. No. 977.

△ Included in Valve Gasket Set-Ref. No. 1095.

Illustrations cover a range of engines. Parts shown without corresponding text may not be used on your specific engine.

REF. NO.	PART NO.	DESCRIPTION	REF. NO.	PART NO.	DESCRIPTION	REF. NO.	PART NO.	DESCRIPTION
337	491055S	Plug-Spark ----- Note ----- 691043 Plug-Spark Used on Type No(s). 0105, 0115, 0116, 0141, 0159, 0163, 0164, 0165, 0166, 0174, 0183, 0185, 0186, 0190, 0191, 0195, 0196, 0199, 0200, 0201, 0207, 0211, 0280, 0313, 0533, 0535, 0536, 0537, 0538, 0541, 0542, 0549, 0550, 0563. 792015 Plug-Spark Used on Type No(s). 0280.	363	19203	Puller-Flywheel	501	691185	Regulator
			364A	699947	Terminal-Oil Plug	503	691532	Strap-Starter
			369	695422	Spring-Float Bowl	504	695383	Washer Set-Friction
			383	19374S	Wrench-Spark Plug	505	691251	Nut (Governor Control Lever)
			410	695382	Link-Control	510	693699	Drive-Starter
			412	690958	Nut (Air Cleaner Cover)	513	692024	Clutch-Drive
			415	691363	Plug	522	697689	Plug-Dipstick/Fill Used on Type No(s). 0178, 0184, 0187, 0188, 0194, 0214.
			415B	690283	Plug	523	695344	Dipstick
			425	694515	Screw (Air Cleaner Cover)	524	691876	Seal-Dipstick Tube
			425A	790043	Screw (Air Cleaner Cover)	525	695343	Tube-Dipstick
			436C	792374	Manifold-Exhaust	526	690297	Screw (Regulator)
			437	696705	Screw (Exhaust Manifold)	529	791822	Grommet
			445	491588S	Filter-Air Cleaner Cartridge	544	692034	Armature-Starter
			445A	695302	Filter-Air Cleaner Cartridge Used on Type No(s). 0113, 0126, 0213, 0281, 0303, 0304, 0305, 0307, 0310, 0311.	552	694674	Bushing-Governor Crank
346	690367	Screw (Spark Arrestor) ----- Note ----- 690661 Screw (Spark Arrestor) Used on Type No(s). 0113, 0116, 0120, 0123, 0125, 0128, 0129, 0148, 0150, 0180, 0227, 0228.	455	694683	Cup-Flywheel ----- Note ----- 697357 Cup-Flywheel Used on Type No(s). 0194.	562	793216	Bolt (Governor Control Lever)
			456	692299	Plate-Pawl Friction	564	692577	Screw (Control Cover)
			459	281505S	Pawl-Ratchet	564A	692198	Screw (Control Cover)
			467	691668	Knob-Air Cleaner Used on Type No(s). 0113, 0126, 0213, 0281, 0303, 0304, 0305, 0307, 0310, 0311.	575	692303	Switch-Starting Used on Type No(s). 0041, 0050, 0118, 0123, 0148, 0169, 0210.
347	698338	Switch-Rocker Used on Type No(s). 0038, 0115, 0120, 0123, 0126, 0141, 0148, 0227, 0228, 0280, 0538.	474A	695730	Alternator (3 Amps DC)	577	690630	Cable-Starter
347A	697854	Switch-Rocker	474D	695466	Alternator (10 Amp Regulator)	577A	690795	Cable-Starter
347B	790949	Switch-Rocker	493	694861	Bracket-Mounting (Oil Sensor)	578	692306	Wire Assembly Used on Type No(s). 0123, 0148, 0185, 0186, 0204, 0210, 0216, 0229.
355	691075	Washer (Muffler Bracket)	493A	691177	Bracket-Mounting	578A	790948	Wire Assembly
356	692603	Wire-Stop	493B	699973	Bracket-Mounting	579	691029	Nut (Starter Cable) ----- Note ----- 696198 Nut (Starter Cable) Used on Type No(s). 0118, 0123, 0148.
356A	692390	Wire-Stop	500	691086	Washer (Key Switch)	592	690800	Nut (Rewind Starter)
356B	699340	Wire-Stop	500A	792613	Washer (Key Switch)			
356C	695295	Wire-Stop						
356D	695366	Wire-Stop						
356E	696328	Wire-Stop						
356H	696482	Wire-Stop						
356J	699994	Wire-Stop						
356K	697397	Wire-Stop						
356L	792609	Wire-Stop						
358	695438	Gasket Set-Engine						
361	691681	Screw (Starting Switch)						
361A	690297	Screw (Starting Switch)						

★ Included in Engine Gasket Set-Ref. No. 358.

● Included in Carburetor Overhaul Kit-Ref. No. 121 or 121A.

◆ Included in Carburetor Gasket Set-Ref. No. 977.

△ Included in Valve Gasket Set-Ref. No. 1095.

Illustrations cover a range of engines. Parts shown without corresponding text may not be used on your specific engine.

205400

REF. NO.	PART NO.	DESCRIPTION	REF. NO.	PART NO.	DESCRIPTION	REF. NO.	PART NO.	DESCRIPTION
597	691696	Screw (Pawl Friction Plate)	668	694257	Spacer (Control Bracket)	799	695446	Screw (Oil Sensor)
601	791850	Clamp-Hose	676	393761	Deflector-Muffler			(Shoulder Screw)
604	697326	Cover-Control	676B	397630	Deflector-Muffler (Louvered)			----- Note -----
		----- Note -----			Used on Type No(s). 0212.			690297 Screw (Oil Sensor)
		697326 Cover-Control (Used After Code Date 01061000). Used on Type No(s). 0116, 0118, 0120, 0177, 0179.	677	690661	Screw (Muffler Deflector)	801	694482	Cap-Drive
		696078 Cover-Control (Used Before Code Date 01061100). Used on Type No(s). 0116, 0118, 0120, 0177, 0179.	677B	690367	Screw (Muffler Deflector)	802	691286	Cap-End
604A	791752	Cover-Control			Used on Type No(s). 0212.	803		Housing-Starter (Not Serviced Separately, Order Starter Motor 695479)
608	695287	Starter-Rewind	689	691855	Spring-Friction	813	690635	Clamp
608A	497680	Starter-Rewind	692	691301	Spring-Detent	819	690352	Screw (Muffler Bracket)
613	695312	Screw (Muffler)	695	698807	Screw (Ring Gear)	832	795035	Guard-Muffler
613A	695399	Screw (Muffler)	697	690372	Screw (Drive Cap)	832C	792380	Guard-Muffler
615	694676	Retainer-Governor Shaft	718	690959	Pin-Locating	836	695312	Screw (Muffler Guard)
616	694675	Crank-Governor	718A	695178	Pin-Locating (Head)			(Used After Code Date 01061000). ----- Note -----
621	692310	Switch-Stop	725A	792995	Shield-Heat			690367 Screw (Muffler Guard)
622	698839	Washer (Heat Shield)			----- Note -----			(Used Before Code Date 01061100).
627	696064	Bracket-Stopswitch			792995 Shield-Heat (Used After Code Date 06112600). Used on Type No(s). 0194, 0205.	836C	710023	Screw (Muffler Guard)
627A	792608	Bracket-Stopswitch			698836 Shield-Heat (Used Before Code Date 06112700). Used on Type No(s). 0194, 0205.	842	691031	Seal-O Ring (Dipstick Tube)
632	694868	Spring/Link-Mechanical Governor (Used With Walbro Carburetors)	725B	698837	Shield-Heat (Used on Type No(s). 0194, 0205).	843	695588	Sleeve-Lever
		----- Note -----			Used on Type No(s). 0194, 0205.	847	695342	Dipstick/Tube Assembly
		695917 Spring/Link-Mechanical Governor (Use With Nikki Carburetor)	727A	697465	Cover-Starter Drive	851	692424	Terminal-Spark Plug
633	690597	Seal-Choke/Throttle Shaft	728	696763	Screw (Heat Shield)	863C	793700	Bracket-Muffler
633A	691326	Seal-Choke/Throttle Shaft	732	691097	Screw (Starter Drive Cover)	868	690968	Seal-Valve
633B	690998	Seal-Choke/Throttle Shaft	740	710090	Nut (Muffler Bracket)	875	695304	Base-Air Cleaner (Plastic)
635	691909	Boot-Spark Plug	740A	793859	Nut (Muffler Bracket)			Used on Type No(s). 0113, 0126, 0213, 0281, 0303, 0304, 0305, 0307, 0310, 0311.
636	696198	Nut (Starting Switch)	741	691288	Gear-Timing	883	695398	Gasket-Exhaust (Used Before Code Date 02012000).
641	690282	Washer (Starting Switch)	742	692564	Retainer-E Ring	883A	697255	Gasket-Exhaust (Used After Code Date 02011900).
663	692577	Screw (Control Panel)	746	694679	Gear-Idler			883C 710250 Gasket-Exhaust
664	691087	Nut (Key Switch)	773	694258	Retainer	892	392833	Switch-Key
			774	695447	Screw (Stop Wire)	892A	791944	Switch-Key
			783	693713	Gear-Pinion	914	693732	Screw (Rocker Cover)
			798	697890	Screw (Rocker Arm)			

★ Included in Engine Gasket Set-Ref. No. 358.

● Included in Carburetor Overhaul Kit-Ref. No. 121 or 121A.

◆ Included in Carburetor Gasket Set-Ref. No. 977.

△ Included in Valve Gasket Set-Ref. No. 1095.

Illustrations cover a range of engines. Parts shown without corresponding text may not be used on your specific engine.

REF. NO.	PART NO.	DESCRIPTION	REF. NO.	PART NO.	DESCRIPTION	REF. NO.	PART NO.	DESCRIPTION
920	691656	Solenoid-Starter	990	691959	Key Set	1070	691058	Screw
934	710550	Screw (Fan Retainer)	990A	695756	Key Set Used on Type No(s).			(Flywheel Fan)
950	691657	Screw-Float Bowl			0041, 0050, 0169,	1090	691293	Retainer-Brush
951	699961	Lever-Choke			0210, 0303, 0311,	1095	695440	Gasket Set-Valve
955	695659	Plug-Carburetor			0541, 0542, 0550.	1100	791959	Pivot-Rocker Arm
957	792647	Cap-Fuel Tank (Plastic)	994	392390	Arrestor-Spark Used on Type No(s).	1119	691183	Screw
958	698180	Valve-Fuel Shut Off (Plastic)			0116, 0190, 0191.	1127A	695407	Screw
967	491435S	Filter-Pre Cleaner	998	696683	Pipe-Oil Used on Type No(s).			(Float Bowl)
967A	695303	Filter-Pre Cleaner Used on Type No(s).			0278.	1138	694255	Nut
		0113, 0126, 0213,	1005	694684	Fan-Flywheel			(Control Bracket)
		0281, 0303, 0304,	1022	★△690971	Gasket-Rocker Cover	1171	696754	Stud
		0305, 0307, 0310,	1023	697691	Cover-Rocker			(Rocker Cover)
		0311.	1026	695177	Rod-Push	1177	710090	Nut
968	790959	Cover-Air Cleaner	1029	690972	Arm-Rocker			(Muffler)
968A	692321	Cover-Air Cleaner Used on Type No(s).	1036		Label-Emissions (Available From A Briggs & Stratton Authorized Dealer)	1194	691876	Seal-O Ring
		0038, 0115, 0116,						(Plug)
		0118, 0130, 0140,	1046	691337	Plug-Blower Housing Used on Type No(s).	1210	498144	Pulley/Spring Assembly
		0154, 0175, 0177,			0118.			(Pulley)
		0178, 0179, 0187,	1051	691265	Ring-Retaining	1211	498144	Pulley/Spring Assembly
		0188, 0194, 0205,	1052A	791159	Sensor-Oil			(Spring)
		0212, 0214, 0216,	1058	277040	Operator's Manual	1212	792614	Stud
		0217, 0229, 0232,			----- Note -----			(Blower Housing)
		0280, 0538.			MS3780 Manual- Operator's	1230	791754	Stud
968B	695301	Cover-Air Cleaner Used on Type No(s).			Used on Type No(s).			(Control Bracket)
		0113, 0126, 0213,			0036, 0038, 0105,	1298	696757	Nut
		0281, 0303, 0304,			0163, 0164, 0165,			(Heat Shield)
		0305, 0307, 0310,			0166, 0174, 0183,	1319	794467	Label-Warning
		0311.			0185, 0186, 0188,	1404	696757	Nut
968C	791930	Cover-Air Cleaner Used on Type No(s).			0195, 0196, 0199,			(Control Cover)
		0207, 0215.			0200, 0201, 0207,			
971	695181	Screw (Air Cleaner Base to Carburetor)			0211, 0232, 0280,			
972A	694260	Tank-Fuel (Plastic)			0313, 0533, 0535,			
975	495933	Bowl-Float			0536, 0537, 0538,			
975A	696138	Bowl-Float			0541, 0542, 0549,			
977	695439	Gasket Set-Carburetor (Used With Walbro Carburetors)			0550, 0563.			
					MS3797 Manual- Operator's			
					Used on Type No(s).			
					0212.			

★ Included in Engine Gasket Set-Ref. No. 358.

● Included in Carburetor Overhaul Kit-Ref. No. 121 or 121A.

◆ Included in Carburetor Gasket Set-Ref. No. 977.

△ Included in Valve Gasket Set-Ref. No. 1095.

Illustrations cover a range of engines. Parts shown without corresponding text may not be used on your specific engine.

Not for
Reproduction

Not for
Reproduction

Not for
Reproduction

